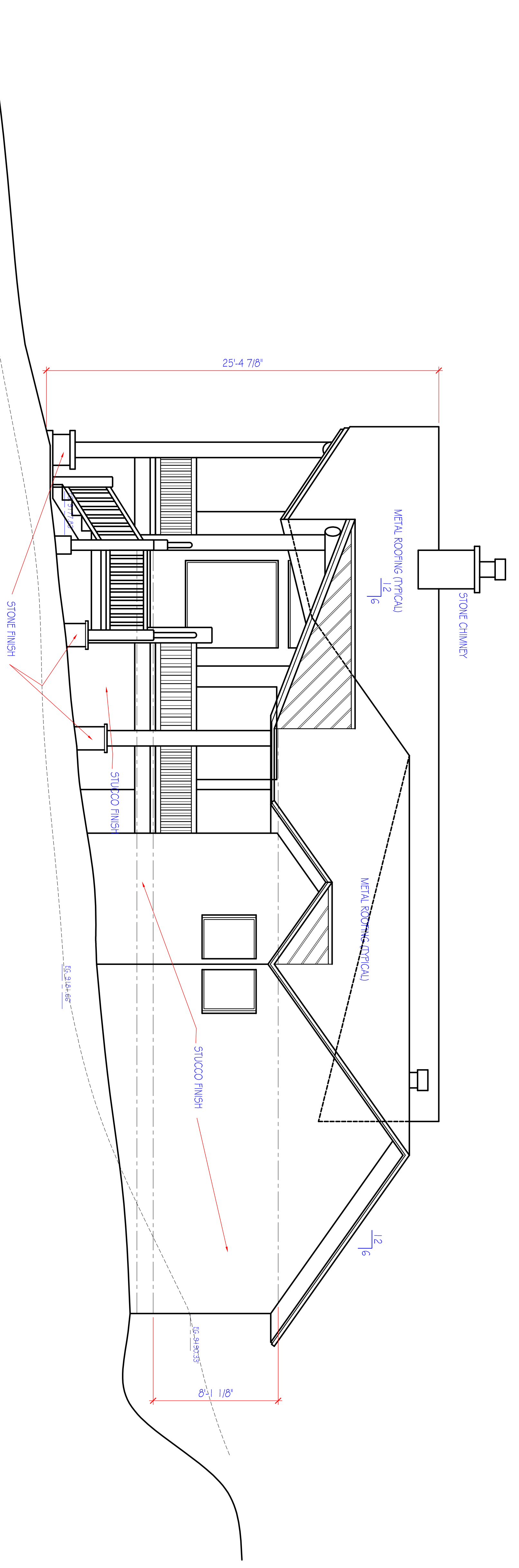
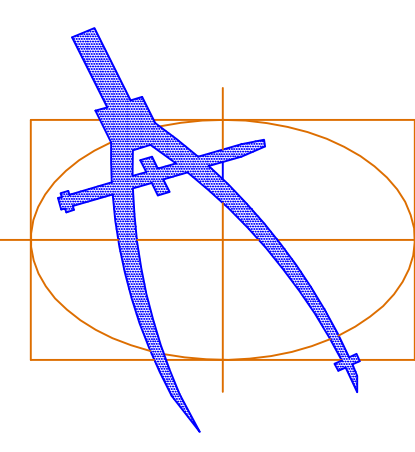


LEFT ELEVATION (NORTH)



RIGHT ELEVATION (SOUTH)

SCALE: 1/4" = 1'-0"



Templeton Design & Custom Homes, LLC
 2252 47th STREET
 Los Alamos, NM 87544
 Phone: (505) 661-6514
 Fax: (505) 661-0719
 tdesignbuild@comcast.net

COPYRIGHT © 2009 BY TEMPLETON DESIGN & CUSTOM HOMES, LLC. THESE PLANS ARE THE SOLE PROPERTY OF TEMPLETON DESIGN & CUSTOM HOMES, LLC. ANY REPRODUCTION OR USE OTHER THAN FOR THE SPECIFIC JOB IDENTIFIED BY THESE PLANS IS STRICTLY FORBIDDEN.	PERFORMANCE SMART ENERGY EFFICIENT DESIGN	DRAWN: LET DATE: 7 - 1 - 09 CHKD: LES REV: 8-1-09 REV: REV:
	EXTERIOR ELEVATIONS TEMPLETON CUSTOM HOMES LOT 209 A	ANGEL FIRE, NM.

PAGE: 8
 OF: 13