

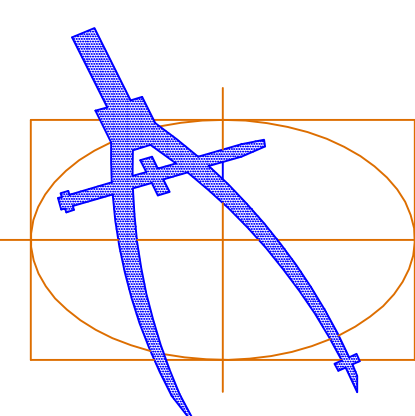
FRONT ELEVATION

SCALE: 1/4" = 1'-0"

COPYRIGHT © 2009 BY
 TEMPLETON DESIGN & CUSTOM
 HOMES, LLC.
 THESE PLANS ARE THE SOLE
 PROPERTY OF TEMPLETON DESIGN &
 CUSTOM HOMES, LLC. ANY
 REPRODUCTION OR USE OTHER
 THAN FOR THE SPECIFIC JOB
 IDENTIFIED BY THESE PLANS IS
 STRICTLY FORBIDDEN.

PERFORMANCE SMART ENERGY EFFICIENT DESIGN
 EXTERIOR ELEVATIONS
 TEMPLETON CUSTOM HOMES
 LOT 209 A ANGEL FIRE, NM.

DRAWN: LET
 DATE: 7 - 1 - 09
 CHKD: LES
 REV: 8-1-09
 REV:
 REV:



Templeton Design & Custom Homes, LLC
 2252 47th STREET
 Los Alamos, NM 87544

Phone: (505) 661-6514
 Fax: (505) 661-0719
 tdesignbuild@comcast.net